

SILVERTRONIC LTD

Title: Aero Kit

Rev
4
3
2
1
-

Details

Date

Drawn

Part No:
905315

CAGECODE U9346

This drawing is not to be disclosed to a third party without the written authority from the company ©

Production issue

29/03/11

CS

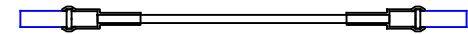
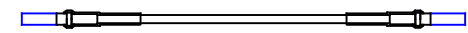
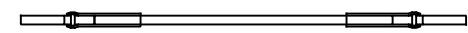
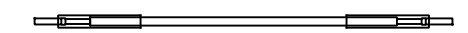
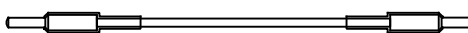
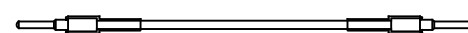
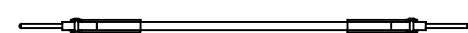
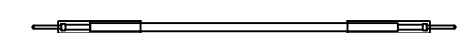
Pre-Production issue

24/03/11

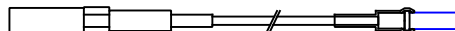
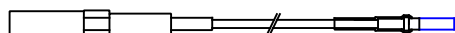
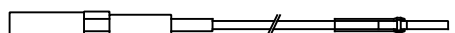
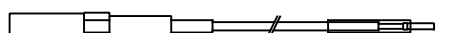

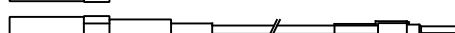
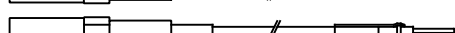
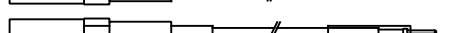
CS

NSN 6625-01-618-9787

119062/Black Silicone Cable Cut 125mm

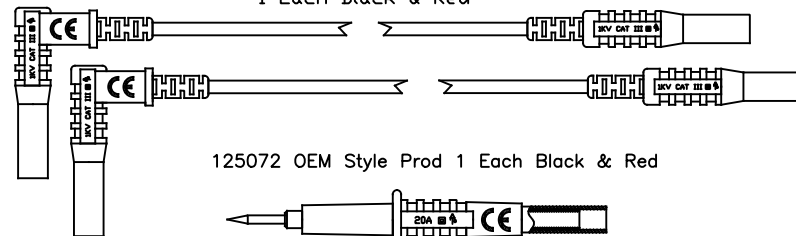
-  127068 - Aero Lead 12 Female/Female Yellow
-  127069 - Aero Lead 16 Female/Female Blue
-  127070 - Aero Lead 20 Female/Female Red
-  127071 - Aero Lead 22 Female/Female Green
-  127072 - Aero Lead 12 Male/Male Yellow
-  127073 - Aero Lead 16 Male/Male Blue
-  127074 - Aero Lead 20 Male/Male Red
-  127075 - Aero Lead 22 Male/Male Green

119062/Black Silicone Cable Cut 90mm

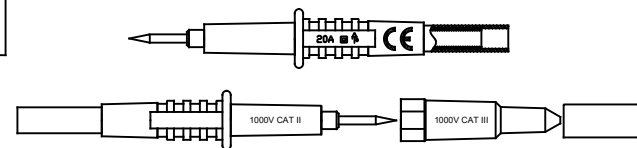
-  127076/50mm - Aero Lead 12 Socket/Female Yellow
-  127077/50mm - Aero Lead 16 Socket/Female Blue
-  127078/50mm - Aero Lead 20 Socket/Female Red
-  127079/50mm - Aero Lead 22 Socket/Female Green
-  127080/50mm - Aero Lead 12 Socket/Male Yellow
-  127081/50mm - Aero Lead 16 Socket/Male Blue
-  127082/50mm - Aero Lead 20 Socket/Male Red
-  127083/50mm - Aero Lead 22 Socket/Male Green

P/N TO APPEAR ON EACH COMPONENT
INSERT LABELS FITTED IN TOOLROLL PICTURING PRODUCT CONTAINED

123680/DF-DR/1.2M Lead Ass
1 Each Black & Red



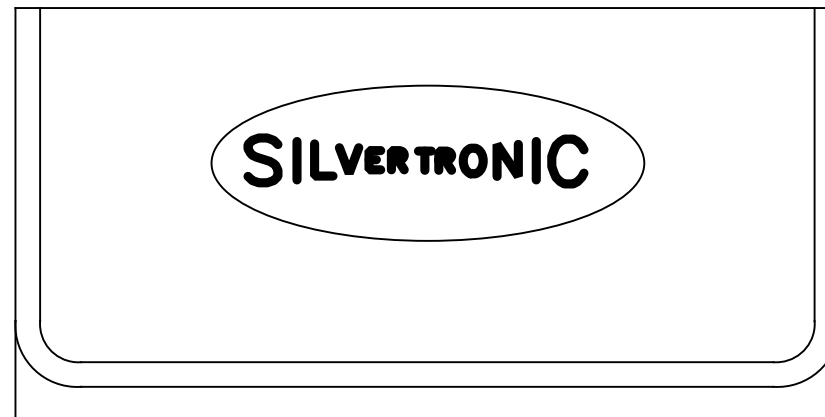
125072 OEM Style Prod 1 Each Black & Red



126017 Small Fully Insulated Croc Clip 1 Each Black & Red



119519 4 Pocket Tool Roll



Assembly Jig Numbers

#####=J### #####=J###
#####=J### #####=J###

Packaging:

Kits packed in 111512 polybag with part no label
Pocket Labels 117355, 117356, 117359, 117360

Do Not Scale All Dimensions In
MM