

SILVERTRONIC LTD

Title: Aero Blade Socket Lead Assembly

Rev
4
3
2
1
-

Details

Date

Drawn

Part No:
127086/150mm

This drawing is not to be disclosed to a third party without the written authority from the company ●

Material: N/A

First issue

15/01/09

CS

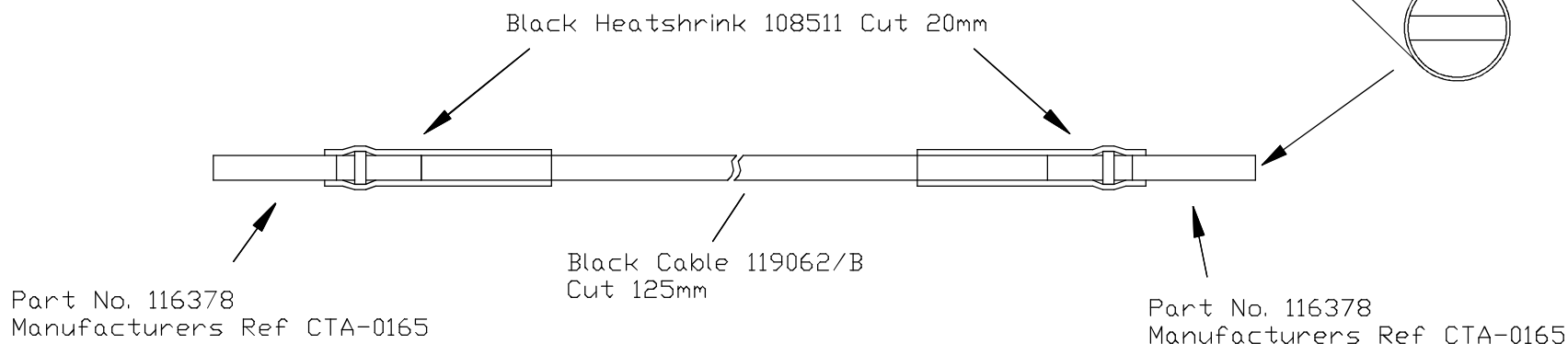
Pre-Production issue

15/01/09

CS

Project No:
1609

Printed Heatshrinks fitted centrally on leads
127086
Silvertronic



Overall Length Approx:- 150mm

Assembly Jig Numbers

#####=J###

#####=J###

#####=J###

#####=J###

Printing as illustrated

Packaging:

Tolerances:
Cable Lengths +/- 05%

Do Not Scale All Dimensions In
MM