

# SILVERTRONIC LTD

Title: 4mm Socket to Aero Pin Lead Assembly

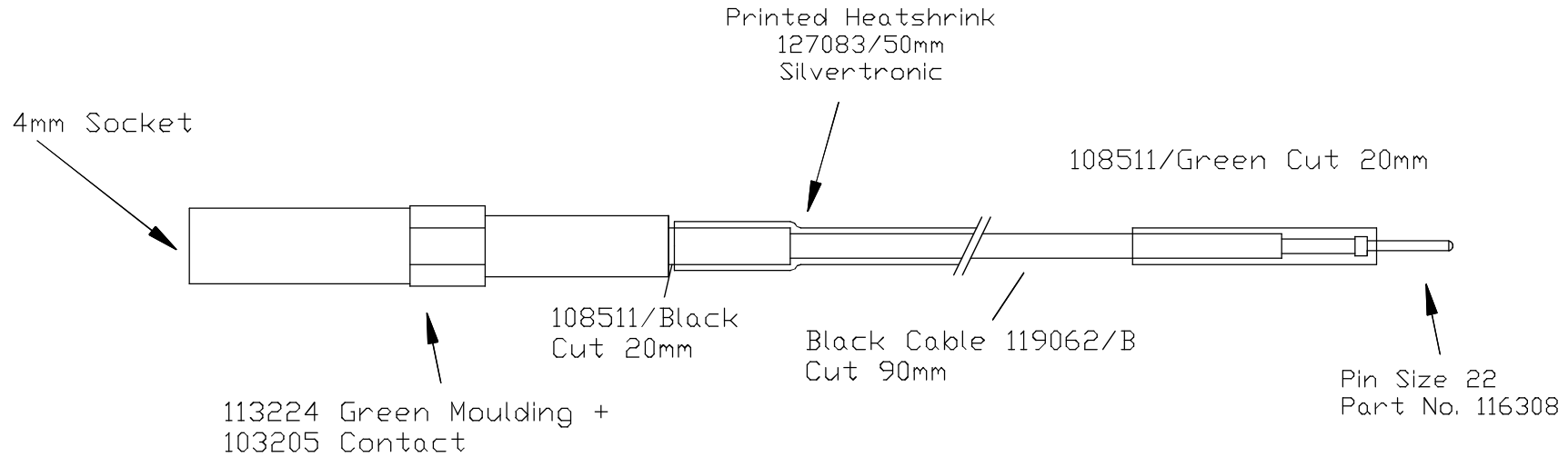
This drawing is not to be disclosed to a third party without the written authority from the company.

Material: N/A

Rev	Details	Date	Drawn
4			
3			
2	Printed Heatshrink Added	04/11/11	CS
1	First issue	10/12/08	CS
-	Pre-Production issue	10/12/08	CS

Part No: 127083/50mm Green

Project No: 1609



Free Cable Length Approx:- 50mm

Assembly Jig Numbers		Printing as illustrated	Tolerances: Cable Lengths +/- 05%	Do Not Scale All Dimensions In MM
#####=J###	#####=J###	Packaging:		
#####=J###	#####=J###			