

**SILVERTRONIC LTD**

Title: 4mm Socket To Aero Pin Lead Assembly

Rev
4
3
2
1
-

Details
Printed Heatshrink Added
First issue
Pre-Production issue

Date
04/11/11
10/12/08
10/12/08

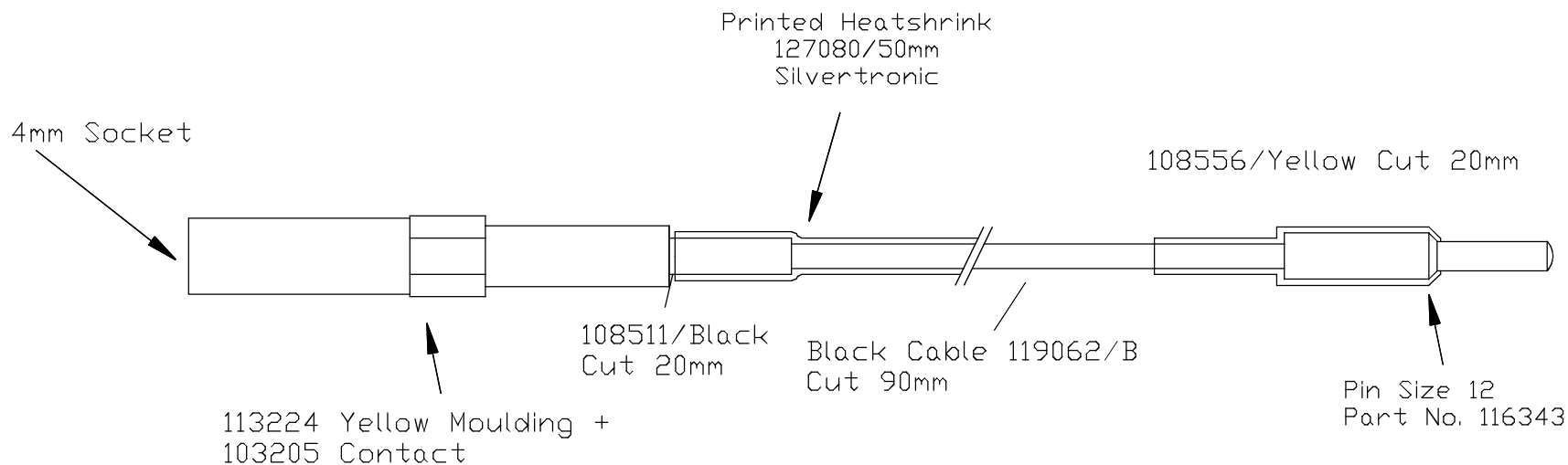
Drawn
CS
CS
CS

Part No:  
127080/50mm Yellow

Project No:  
1609

This drawing is not to be disclosed to a third party without the written authority from the company ●

Material: N/A



Free Cable Length Approx:- 50mm

Assembly Jig Numbers		Printing as illustrated	Tolerances: Cable Lengths +/- 05%	Do Not Scale All Dimensions In MM
#####=J###	#####=J###	Packaging:		
#####=J###	#####=J###			