

SILVERTRONIC LTD

Title: 4mm Socket to Aero Pin
Socket Lead Assembly

Rev
4
3
2
1
-

Details
Printed Heatshrink Added
First issue
Pre-Production issue

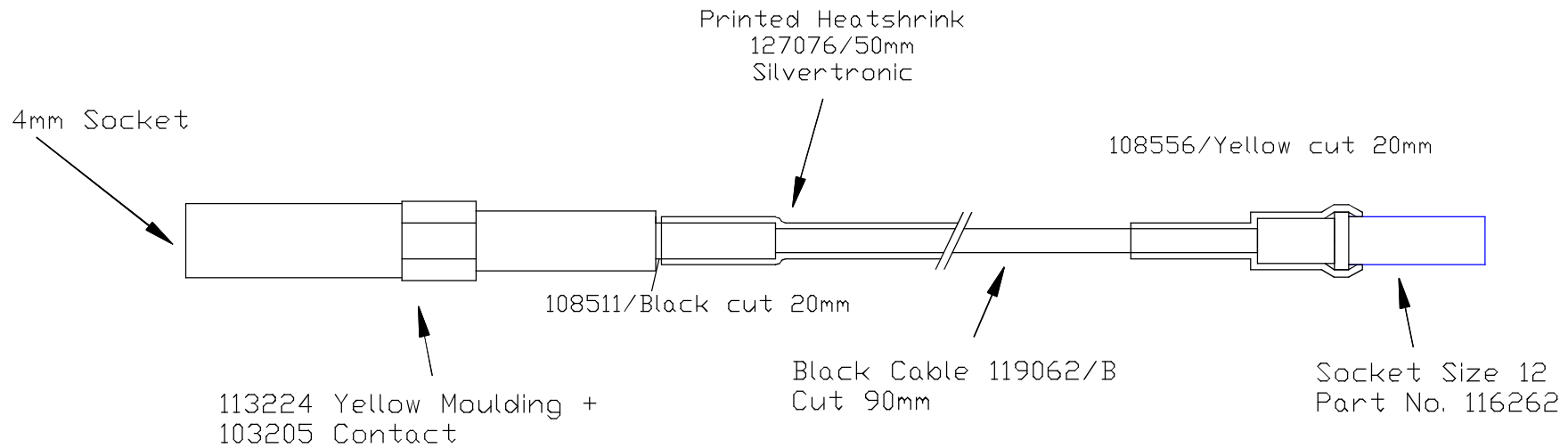
Date	Drawn
04/11/11	CS
10/12/08	CS
10/12/08	CS

Part No:
127076/50mm Yellow

Project No:
1609

This drawing is not to be disclosed to a third party without the written authority from the company ●

Material: N/A



Free Cable Length Approx:- 50mm

Assembly Jig Numbers		Printing as illustrated	Tolerances: Cable Lengths +/- 05%	Do Not Scale All Dimensions In MM
#####=J###	#####=J###	Packaging:		
#####=J###	#####=J###			