

# SILVERTRONIC LTD

Title: Aero Blade Pin Lead Assembly

Material: N/A

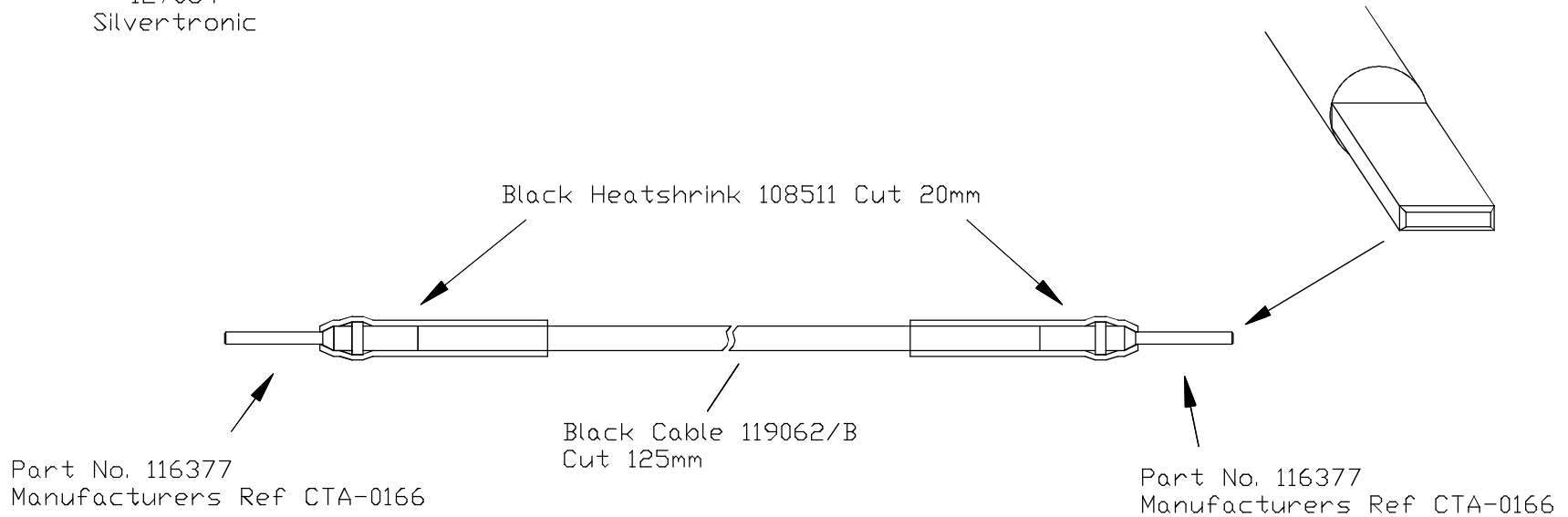
This drawing is not to be disclosed to a third party without the written authority from the company ●

Rev	Details	Date	Drawn
4			
3			
2			
1	First issue	15/01/09	CS
-	Pre-Production issue	15/01/09	CS

Part No:  
127084/150mm

Project No:  
1609

Printed Heatshrinks fitted centrally on leads  
127084  
Silvertronic



Overall Length Approx:- 150mm

Assembly Jig Numbers		Printing as illustrated	Tolerances: Cable Lengths +/- 05%	Do Not Scale All Dimensions In MM
#####=J###	#####=J###	Packaging:		
#####=J###	#####=J###			