

SILVERTRONIC LTD

Title: 4mm Socket To Aero Pin Lead Assembly

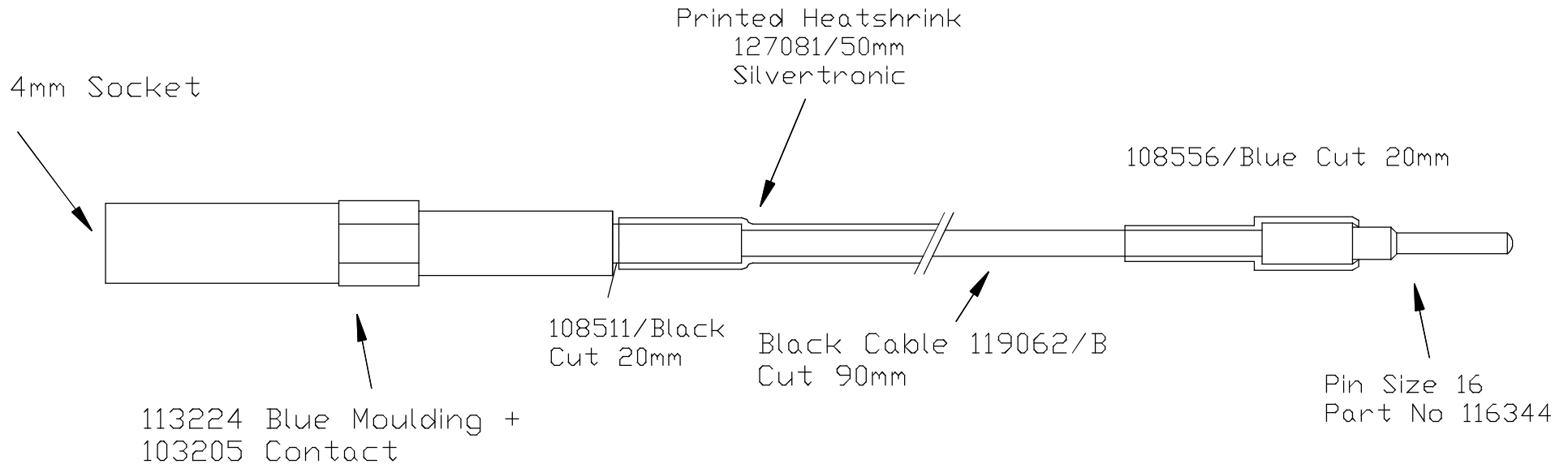
Material: N/A

This drawing is not to be disclosed to a third party without the written authority from the company ●

Rev	Details	Date	Drawn
4			
3			
2	Printed Heatshrink Added	04/11/11	CS
1	First issue	10/12/08	CS
-	Pre-Production issue	10/12/08	CS

Part No:
127081/50mm Blue

Project No:
1609



Free Cable Length Approx:- 50mm

Assembly Jig Numbers		Printing as illustrated	Tolerances: Cable Lengths +/- 05%	Do Not Scale All Dimensions In MM
#####=J###	#####=J###			
#####=J###	#####=J###	Packaging:		